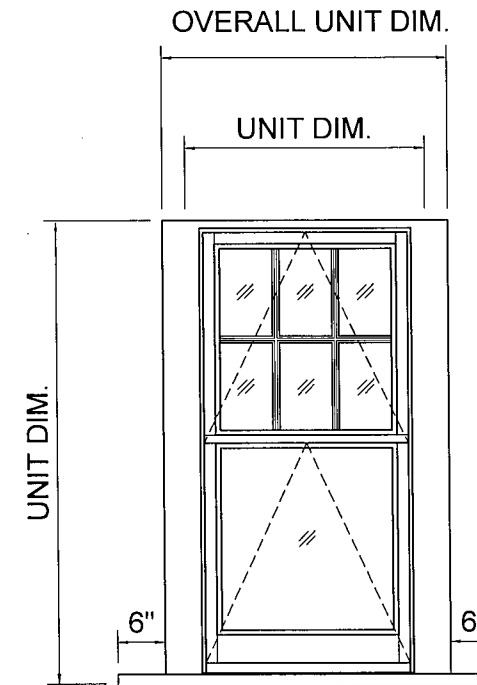
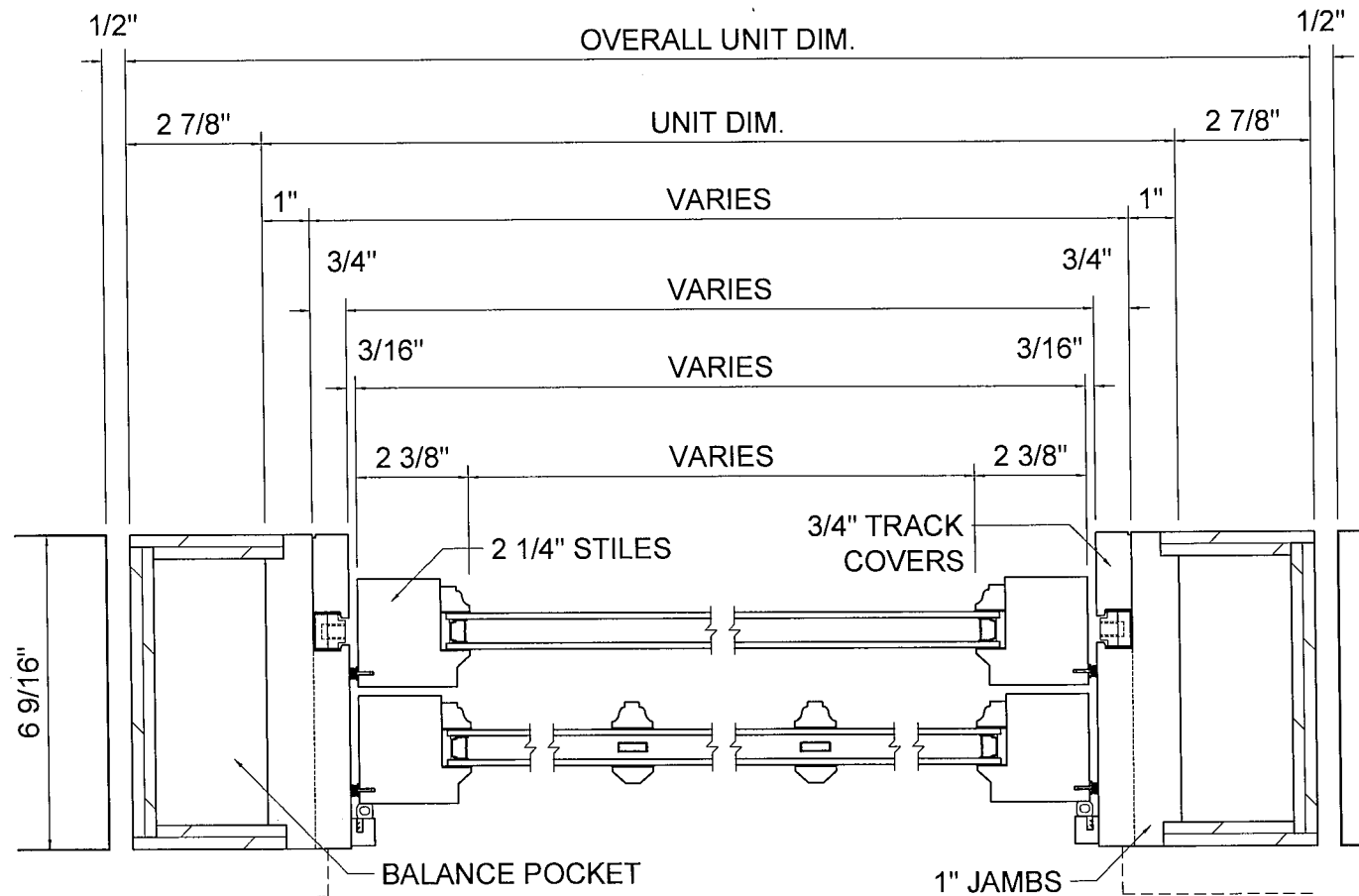


R.O. = OVERALL UNIT WIDTH AND UNIT HEIGHT +1"



EXTERIOR ELEVATION OF SERIES 5000 DOUBLE HUNG FOLD-UP IN WINDOW UNIT WITH SILL



FoldUp™

A window like no other

A Division of Rochester Colonial Mfg.
 1794 Lyell Avenue., Rochester, New York 14606
 Phone: (800) - 321 - 8199 (585) - 254 - 8191
 Fax: (585) - 254 - 1768

NOTE:
 JOBS WILL NOT BE PUT INTO PRODUCTION UNTIL ALL REQUIRED INFORMATION IS COMPLETE AND FINAL APPROVAL IS SIGNED DATED AND RETURNED.

ALL REVISIONS ARE SUBJECT TO ADDITIONAL COST AND LEAD TIME TO DELIVERY DATE. MRH

FINAL APPROVAL
 SIGNATURE: _____
 DATE: _____

SERIES 5000 DH FOLD-UP IN WINDOW UNIT WITH SILL

DATE: 8/21/23 DRAWING: 1 OF 1